

Rail adapter  
for 1 RJ45 module KS-T, KS-TS or KU-T

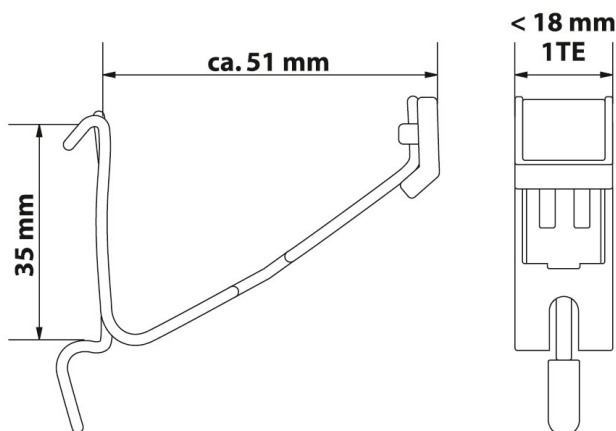
## DESCRIPTION

Structured premises cabling in the industrial sector, for the transmission of Ethernet protocols.  
Rail adapter for 1 tool-less RJ45 Keystone module KS-T, KS-TS (Slimline) or KU-T. Can be fitted onto any 35 mm standard (DIN) rail.  
Made of stainless steel, therefore always electrically conducted (via rail) with the building's equipotential bonding.  
Its width allows for installations of up to 12 modules in a row in any standard electrical distributor.  
Delivery without module.

### Suitable for the following Datwyler modules:

- PS-GG45 7A shielded
- RJ45 module KS-T Plus 1/8 Cat. 6<sub>A</sub> shielded
- RJ45 module KS-T 1/8 Cat. 6/E<sub>A</sub> shielded
- RJ45 module KS-TS 1/8 Cat. 6/E<sub>A</sub> shielded
- RJ45 module KS-T 5 1/8 Cat. 5e shielded
- RJ45 module KU-T 1/8 Cat. 6 unshielded
- RJ45 module KU-T 1/8 Cat. 5e unshielded

## DESIGN



## STANDARDS

### Standards

- Rail mounted onto TH35 rails (in accordance with DIN EN60715)
- W = 1 width unit (< 18mm) (DIN 43880)
- with labelling field

---

**VERSIONS**

<b>Article Number</b>	<b>Product</b>	<b>Colour (similar to)</b>	<b>PU</b>
418025	Rail adapter Keystone for 1x KS-T/KU-T (delivery without module)	metal	1 pc.